

PRODUCT CODE: SR10B
EXTENSION RING



DESCRIPTION

10mm Extension Ring

FINISH

Black Enamel

MATERIAL

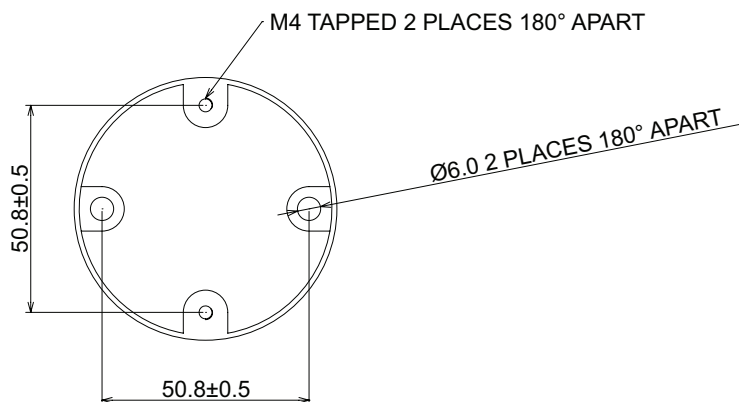
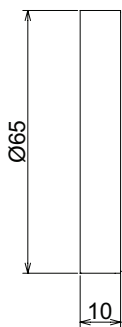
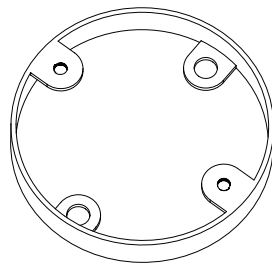
Steel


PACKAGING

Packed in qty 50

ADDITIONAL NOTES

Conforms to BS EN61386-1



 Values are nominal and with a general tolerance $\pm 5\%$ unless otherwise specified